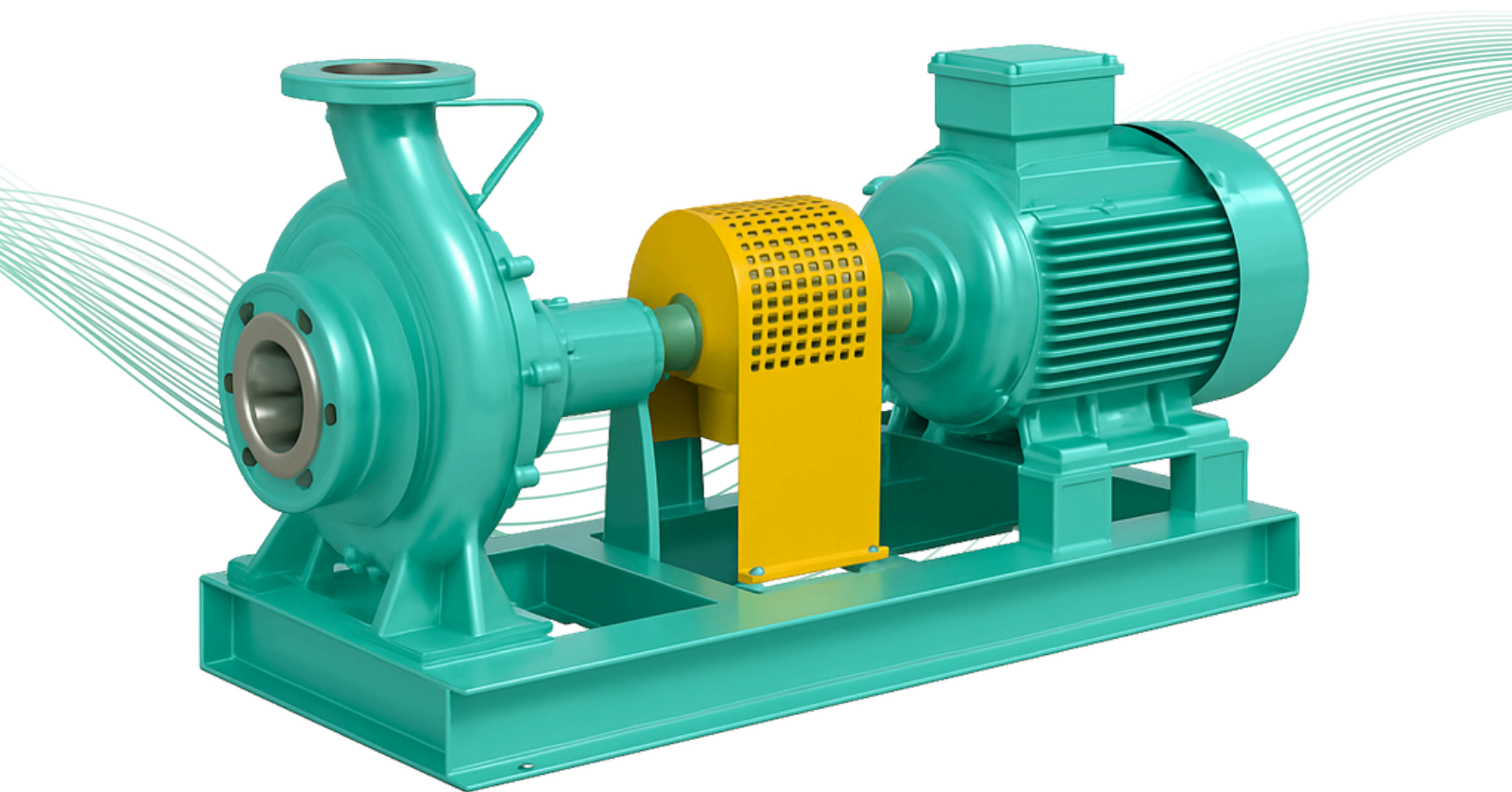




TranspumpServ
GLOBAL PVT LTD

AquaNorm (TnormX)

Centrifugal pump according to EN 733 (DIN 24255)



AquaNorm

The Ultimate Pump Solution

AquaNorm is a versatile centrifugal pump designed to EN733 (DIN 24255) standards, offering unparalleled flexibility and reliability. Key features include:

The TRANSPUMPSERV AquaNorm series features a modular architecture, comprising single-stage centrifugal pumps with a high level of component interchangeability. This design enables flexibility, efficiency, and streamlined maintenance across diverse pump configurations.

The AquaNorm pump series encompasses a wide range of centrifugal pumps, available in horizontal, vertical, and submerged configurations. Designed with adherence to multiple industry standards, including: EN 733 (DIN 24255), EN 22858 (ISO 2858 / DIN 24256), ISO 5199, API 610.

- **Modular Design for Maximum Versatility:**

Interchangeable components enable seamless adaptation to different pump duties, reducing complexity and increasing efficiency.

- **Reduced Spare Part Inventory:**

Similarity between structural parts limits inventory requirements, streamlining logistics and reducing costs.

- **Ideal Applications:** AquaNorm is perfectly suited for handling low-viscosity, clean or slightly contaminated liquids, making it an excellent choice for various industries, including water treatment, chemical processing, and HVAC.

Benefits:-

- **Increased Flexibility:** Wide range of material, shaft seal, and bearing system options ensures optimal performance for specific applications.
- **Improved Maintainability:** Modular design and Back Pull Out feature reduce maintenance time and costs.
- **Enhanced Reliability:** Customizable bearing and sealing solutions ensure optimal performance and extended pump lifespan.
- **Extensive Shaft Sealing Options:** From simple gland packing to advanced balanced cartridge double seals, ensuring optimal sealing performance for various applications.
- **Customizable Bearing Solutions:** Standard and heavy-duty bearings available, with options for grease or oil lubrication, catering to diverse operational demands.



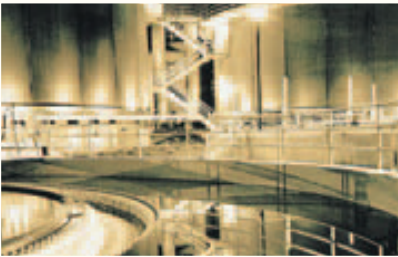
Application Scope :-

Turning Know-How into Innovative Solutions



Industrial Sector:-

With its broad selection of shaft seals and materials, AquaNorm is well-suited for general industrial use. Its compliance with EN 733 (DIN 24255) and incorporation of standard gland packing or mechanical seals according to EN 12756 (DIN 24960) make it a dependable choice.

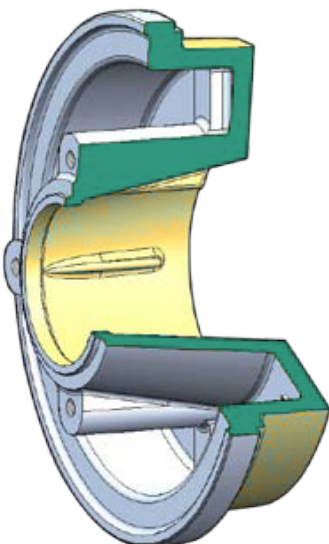
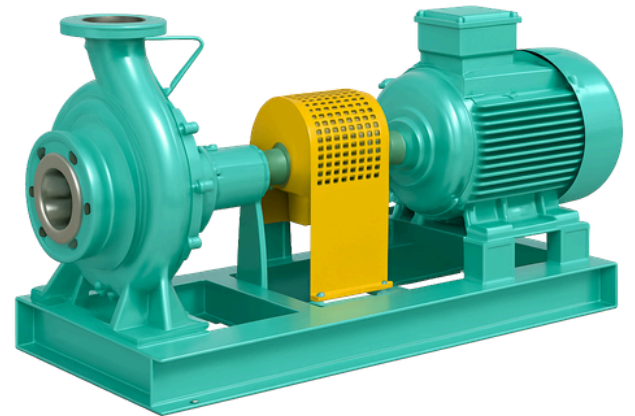


Utility:-

AquaNorm pumps are applied in utility buildings for General pumping duties, Circulating water in heating systems, Purifying water in treatment plants.

Product Advantages

- 1. Material Flexibility:** Available in multiple materials
- 2. Simplified Design:** Only 5 shaft groups for the entire range
- 3. Versatile Applications:** Suitable for various duties
- 4. Seal Options:** Mechanical seals (single/double cartridge) meeting EN 12756 (DIN 24960)
- 5. Durable Bearings:** Heavy-duty, oil or grease lubricated
- 6. Easy Maintenance:** Back Pull Out design
- 7. Customizable:** Pump cover options for cylindrical or tapered bore



Enhanced Mechanical Seal Life:-

The AquaNorm pump features a conical seal chamber that improves seal durability by diverting abrasive materials and enhancing heat dissipation. The ribbed chamber design also eliminates vortex formation, contributing to increased seal reliability and lifespan.

Enhanced Pump Performance:-

- Streamlined Volute Design
- Smooth Surface Finish
- Minimized Internal Losses
- High-Efficiency Performance

Flexible Material Options:-

- Pump body: cast iron, nodular cast iron, bronze
- Custom materials can be arranged for specific applications.
- Impellers: cast iron, bronze, stainless steel

Optimized Suction Performance:-

- Smooth suction entry
- Optimal NPSH values
- Anti-rotation vane for stable flow
- Low turbulence surfaces
- Reduced flow distortion

Robust Pump Casing:-

- Standardized Flanges (ISO 7005 PN 10/16)
- High-Pressure Capability (up to 10 bar / 1000 kPa)
- Efficient Draining for optimal operation
- Versatile Application Range
- Large Drain Opening for easy maintenance

Impeller Fastening:-

- Stainless Steel Impeller Nut
- Flat Gasket for sealing
- Efficient and Dependable locking mechanism

Impeller Back Vane Benefits:-

- Improved Seal Performance through circulation flow
- Extended Bearing Life through reduced load
- Protection of Shaft Seal by keeping solids away

Robust Shaft Design:-

- Durable Shaft made from steel alloy or stainless steel
- Shaft Sleeve Option for added protection and versatility
- Designed for rigidity and reliability for stable operation
- No Shaft Exposure to pumped liquid when sleeve is applied

Reliable Oil Lubrication System:-

- Oil Bath Lubrication for smooth operation
- Constant Level Oiler for consistent lubrication
- Convenient Breather/Filling Plug for maintenance
- Oil Sight Glass for easy monitoring
- Large Drain Plug for easy oil changes

Advanced Pump Cover Design:-

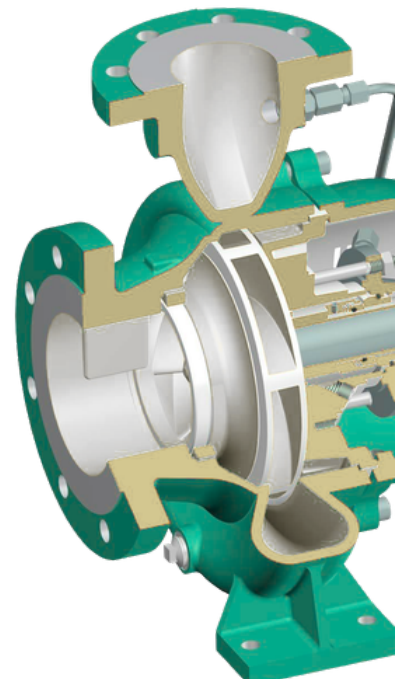
- Secure Gasket System (flat gasket, fully chambered) to prevent blow-outs.
- Tapered Bore Seal Chamber with flow-guiding ribs for optimal seal performance.
- Improved Heat Dissipation for extended seal life
- Machined Fits for precise alignment.
- Integrated Seal Chamber (stuffing box/mechanical seal) with cylindrical bore.

Versatile Shaft Sealing Options:-

- Cartridge Seals for easy installation
- Flushed Mechanical Seal (Plan 11) for improved performance
- Quenching and Cooling/Heating Jacket Options for extreme temperatures
- Gland Packing Options (3 options) with cooling cover or external flush
- Multiple Mechanical Seal Options (8 options, EN 12756/DIN 24960)
- Various Sealing Ring and Elastomer Combinations
- Tapered Bore Seal Chamber with optional flush plan for enhanced seal performance
- Suitable for Various Applications and liquids, including high temperatures

Robust Bearing Design:-

- Greased or Oil Lubricated options for extended maintenance intervals
- Extended MTBF (Mean Time Between Failures) for reliable operation
- Durable Bearings (deep groove ball bearings, angular contact bearings, or roller bearings)
- Rigid Cast Iron Bracket for stability
- Exact Alignment for reduced wear
- Durable Bearings (deep groove ball, angular contact, or roller bearings)



Technical Data:-

Max. capacity

:- 1500 m³/h

Max. head

:- 160 m

Max. working pressure

:- 1600 kPa (16 bar)

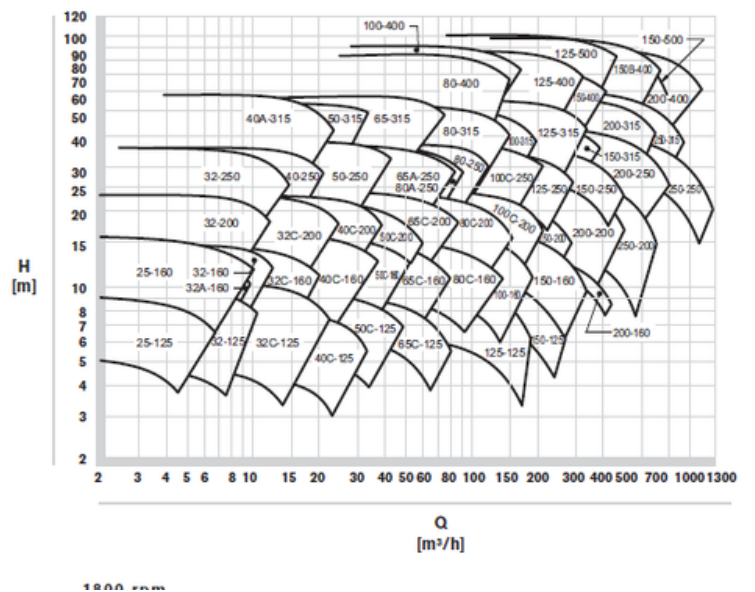
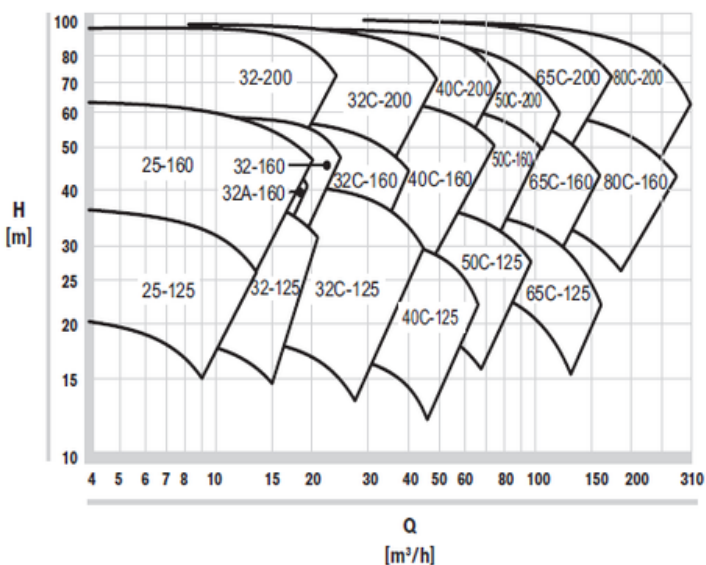
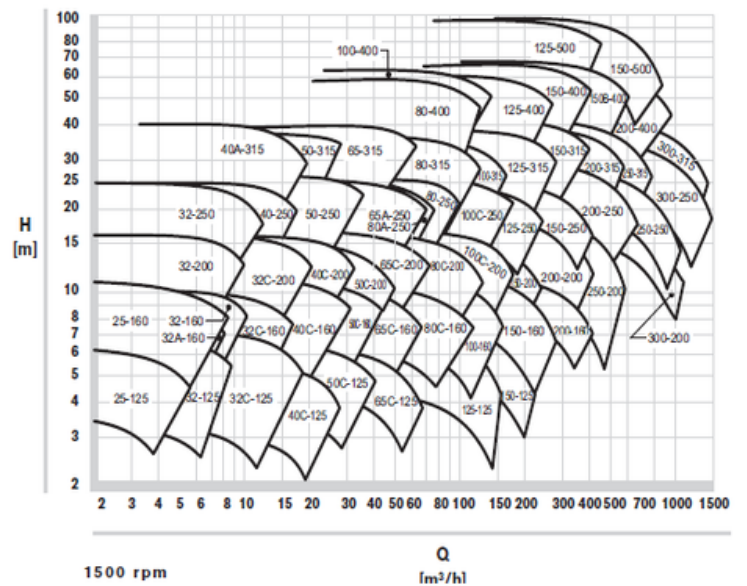
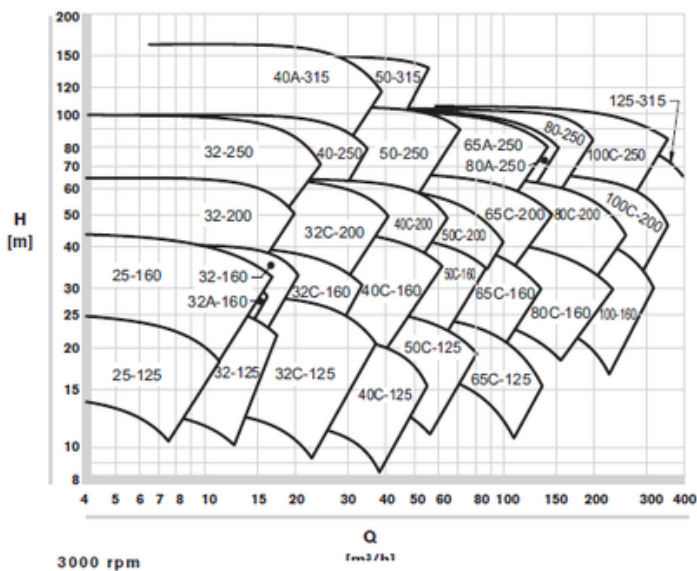
Max. temperature

:- 200 °C

Max. speed

:- 3600 rpm

Hydraulic Performance Data:-



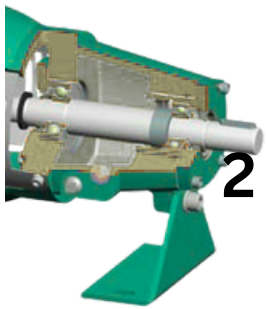


Bearing:-

The AquaNorm has 2 bearing arrangements:

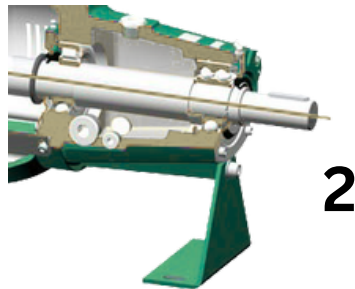
1. Two Deep-Groove Ball Bearings (Grease Lubricated “Sealed For Life”)
2. A Double-Row (Two Single – Bearing Group 4) Angular Contact Ball Bearing In Combination With A Roller Bearing

Both versions can be provided grease lubricated as well as oil lubricated.



Adjustable

Bearing groups 0 - 0+



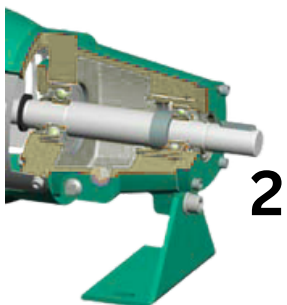
1

Bearing groups 1 - 2 - 3



2

Bearing group 4



Adjustable

Bearing groups 0 - 0+



1

Bearing groups 1 - 2 - 3



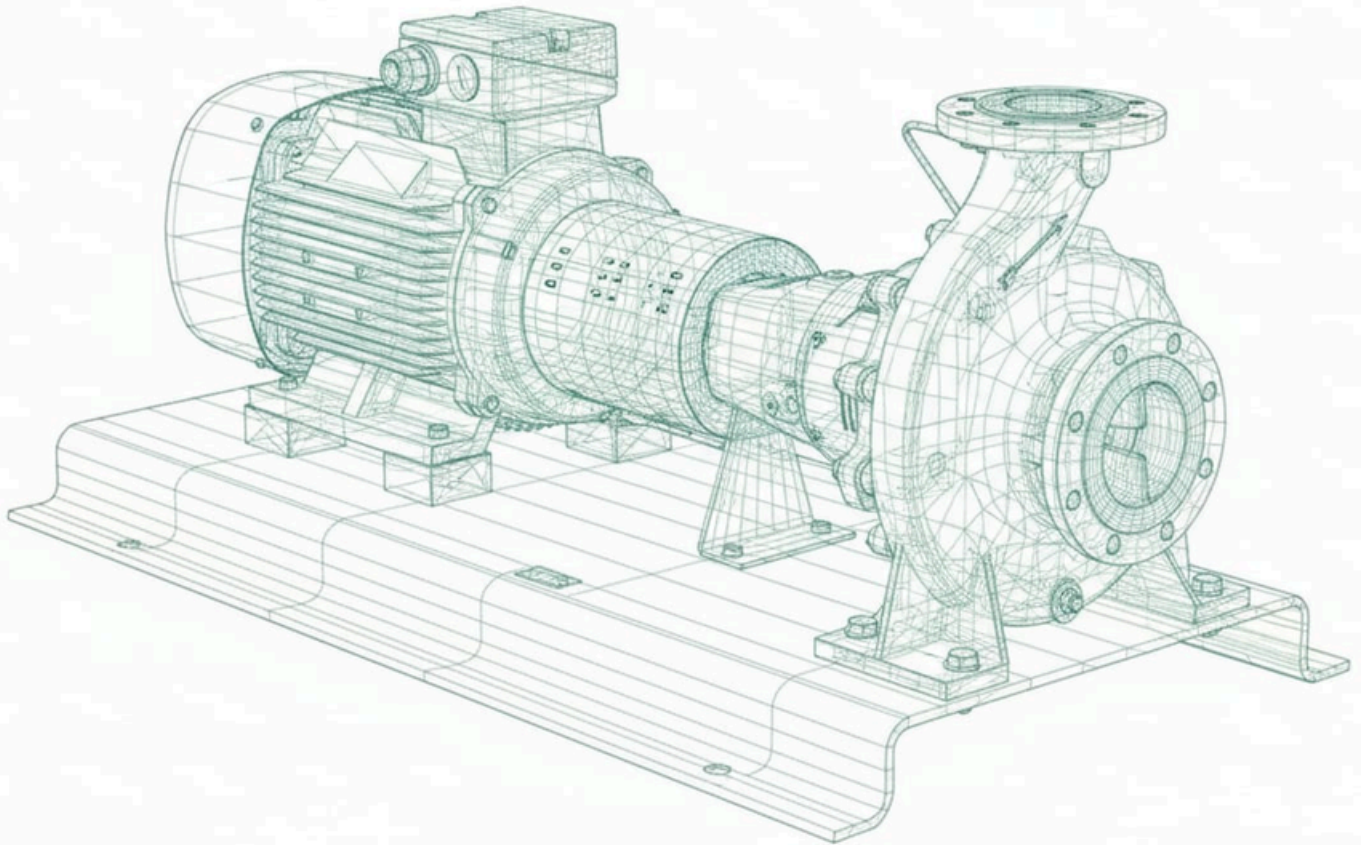
2

Bearing group 4



TranspumpServ

GLOBAL PVT LTD



India

Transpumpserv Global (HQ)

📍 Vadodara – Gujarat, INDIA

**Transpumpserv Engineering
(Mfg. Unit-1)**

Valod – Surat, INDIA

☎ + 91 92136 11384



Canada

Transpumpserv Alberta Inc.

📍 Manulife Place,
3400 – 10180 101 St NW
Edmonton, Alberta T5J 3S4
Canada

☎ +1 (780) 695-3232

Follow Us :   

✉ info@transpumpservglobal.com

🌐 www.transpumpservglobal.com